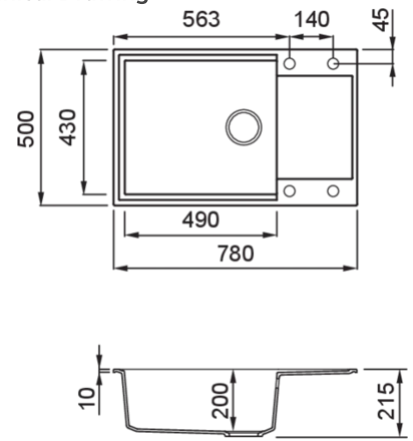


EASY 310



Technical Drawing



0

Description	1-bowl sink with drainer
Model	EASY 310
Base (mm)	600 800 if first component
0	Inset
Dimensions (mm)	780 x 500
Hole for built-in installation (mm)	760 x 480
Number of Bowls	1
Bowl Depth (mm)	200



0

Gross Weight (kg)	16,63
Net Weight (kg)	11,20
Packaging Dimension (kg)	870 x 575 x 300
0 (kg)	0,150
0	
Packaging	Cardboard and polyethylene
0	Space-saving siphon, wastes and hooks.



METAL



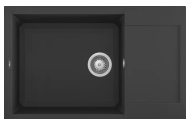
LMY31073 M73
8032861959847



LMY31079 M79
8032861959861



MATT



LGY31040 G40
8032557034292



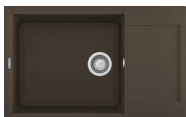
LGY31043 G43
8032557034308



LGY31048 G48
8032557035138



LGY31068 G68
8032557034322

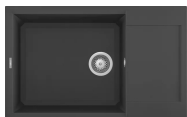


LGY31078 G78
8032557067375

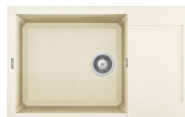
CLASSIC



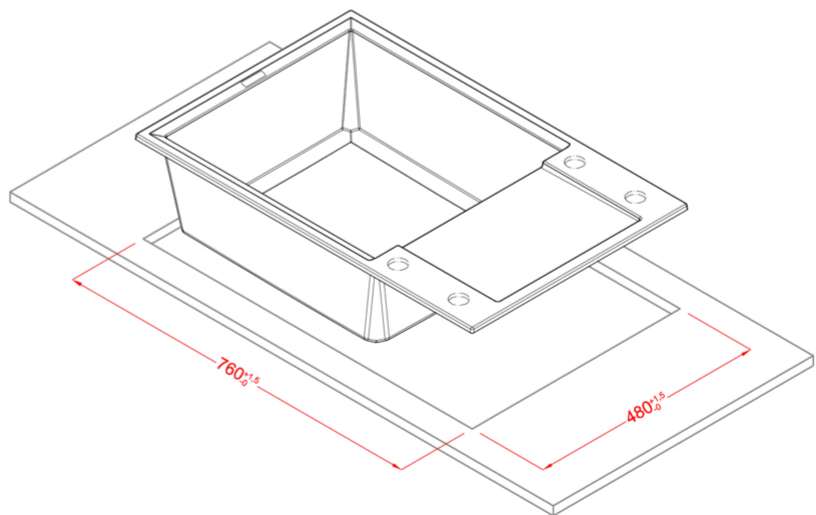
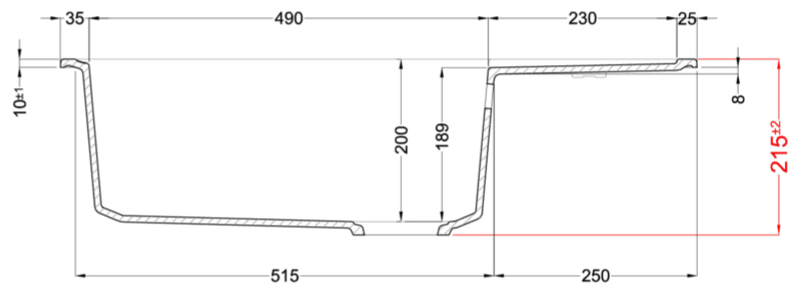
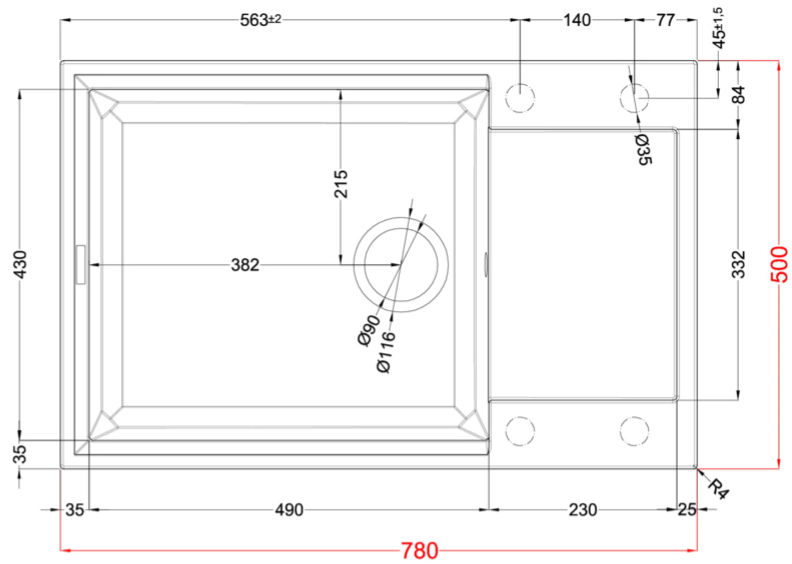
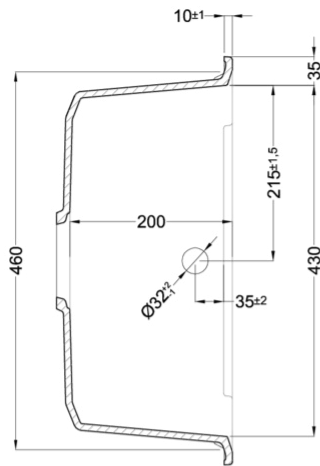
LGY31051 G51
8032557035091



LGY31059 G59
8032861030140



LGY31062 G62
8032557034315



EASY 310

general tolerances where not expressly communicated ±0.2%
connection dimensions according to UNI EN 695