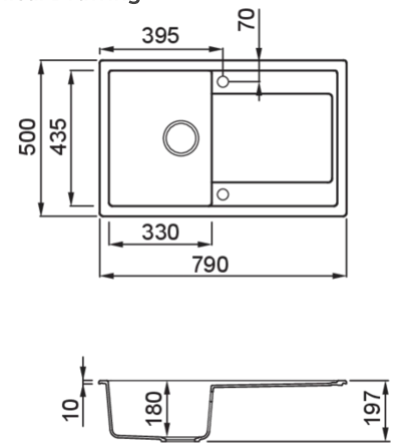


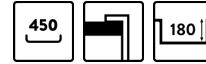
LIFE 300



Technical Drawing



0	
Description	1-bowl sink with drainer
Model	LIFE 300
Base (mm)	450
0	Inset
Dimensions (mm)	790 x 500
Hole for built-in installation (mm)	770 x 480
Number of Bowls	1
Bowl Depth (mm)	180
0	
Packaging Dimension (kg)	870 x 575 x 300
0 (kg)	0,150
0	
0	Space-saving siphon, wastes and hooks.



GRANITEK[®]

NATURAL GRANITE EFFECT

METAL



LM230073 M73
8032557110286

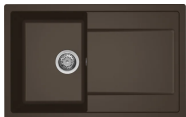


LM230079 M79
8032557110743

GRANITEK[®]

NATURAL GRANITE EFFECT

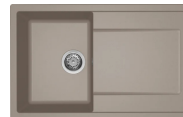
MATT



LG230078 G78
8032557068167



LG230040 G40
8032557068099



LG230043 G43
8032557068105



LG230048 G48
8032557068112



LG230068 G68
8032557068150

CLASSIC



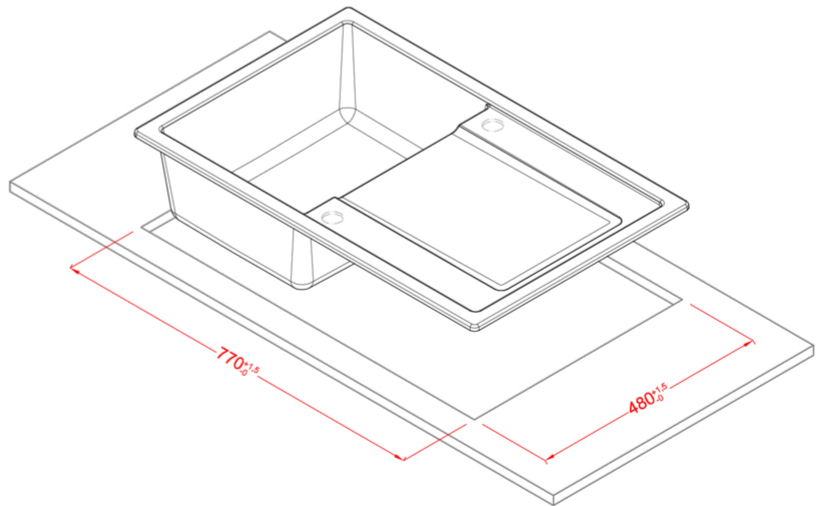
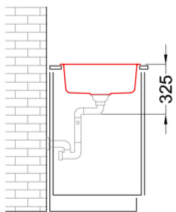
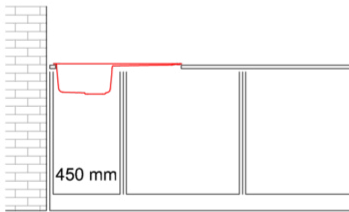
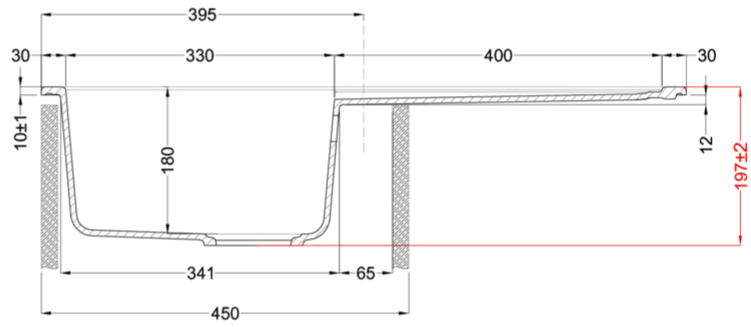
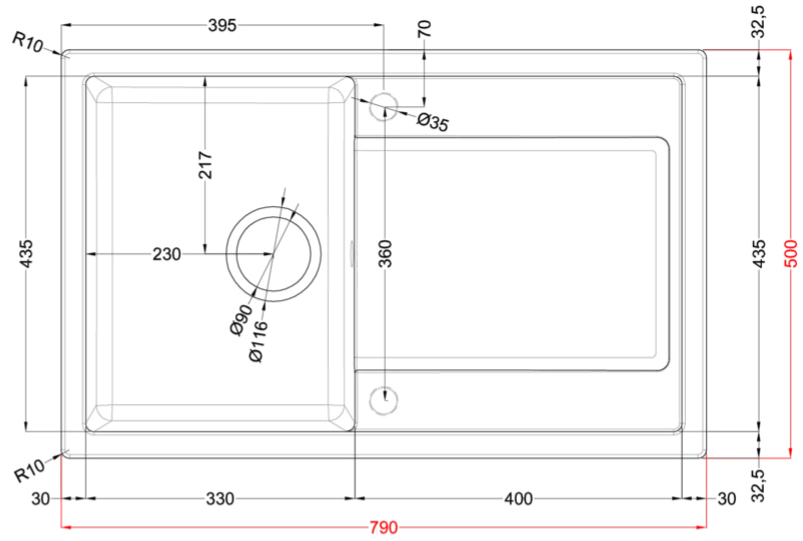
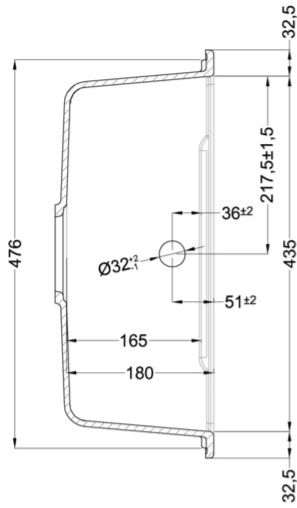
LG230051 G51
8032557068129



LG230059 G59
8032557068136



LG230062 G62
8032557068143



LIFE 300

general tolerances where not expressly communicated $\pm 0.2\%$
connection dimensions according to UNI EN 695

