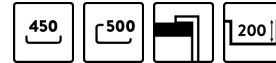
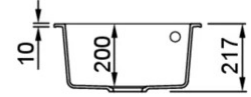
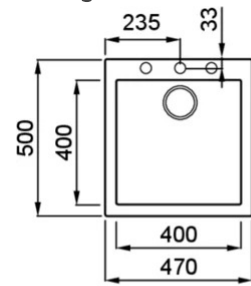


QUADRA 102



Technical Drawing



0	
Description	1-bowl sink
Model	QUADRA 102
Base (mm)	450 500 if first component
0	Inset
Dimensions (mm)	470 x 500
Hole for built-in installation (mm)	450 x 480
Number of Bowls	1
Bowl Depth (mm)	200
0	
Gross Weight (kg)	15,74
Net Weight (kg)	10,30
Packaging Dimension (kg)	690 x 570 x 300
0 (kg)	0,119
0	
Packaging	Cardboard and polyethylene
0	Space-saving siphon, wastes and hooks.

KERATEK^{plus}
CERAMIC NANOTECHNOLOGY CN6



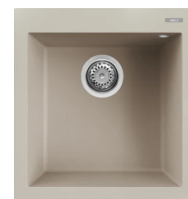
LKQ10299 K99
8032557025863



LKQ10297 K97
8032557025856



LKQ10296 K96
8032557025849



LKQ10295 K95
8032557025832



LKQ10293 K93
8032557025825



LKQ10286 K86
8032557025818

GRANITEK[®]
NATURAL GRANITE EFFECT

METAL



LMQ10279 M79
8031873116408



LMQ10273 M73
8031873116385

GRANITEK[®]
NATURAL GRANITE EFFECT

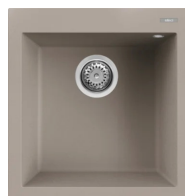
MATT



LGQ10268 G68
8031873065768



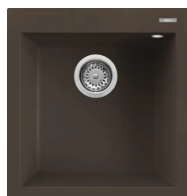
LGQ10248 G48
8031873065706



LGQ10243 G43
8031873065690



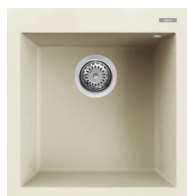
LGQ10240 G40
8031873065683



LGQ10278 G78
8032557067115

GRANITEK[®]
NATURAL GRANITE EFFECT

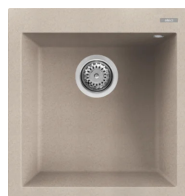
CLASSIC



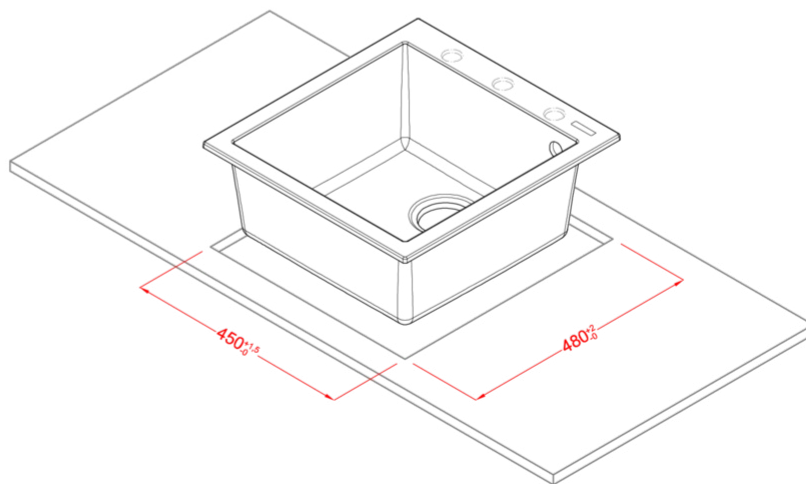
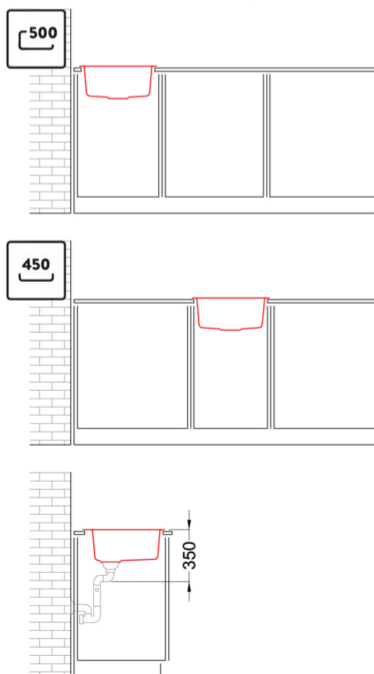
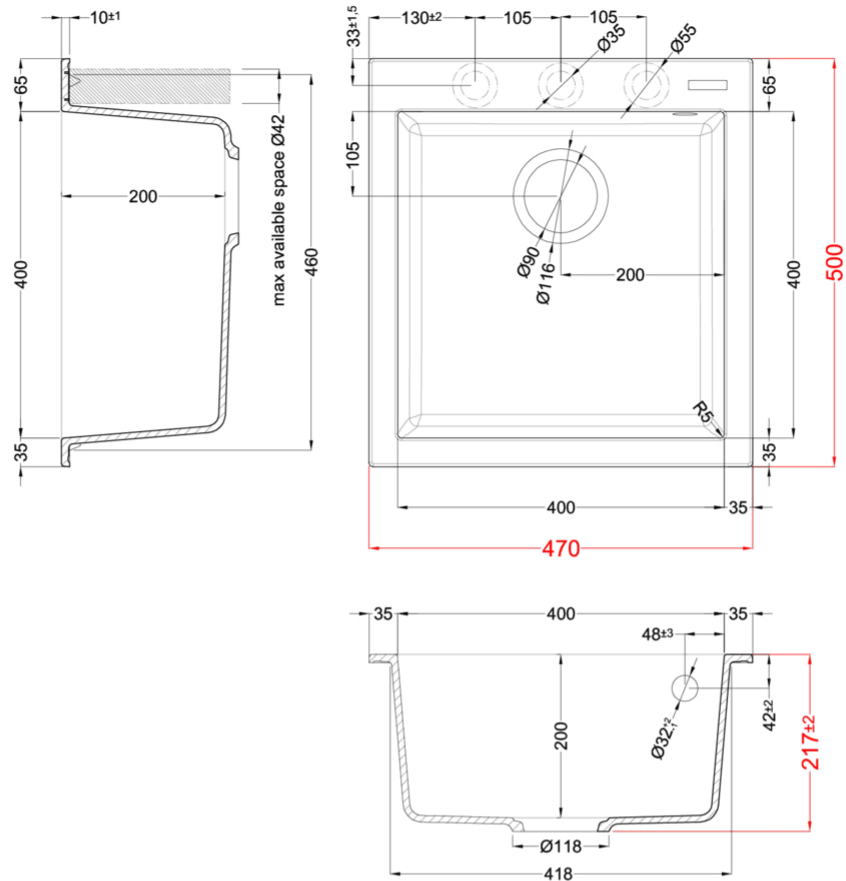
LGQ10262 G62
8031873065751



LGQ10259 G59
8031873065744



LGQ10251 G51
8031873065713



QUADRA 102

general tolerances where not expressly communicated $\pm 0.2\%$
connection dimensions according to UNI EN 695