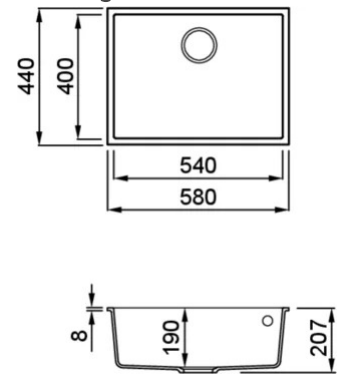


QUADRA 110 SOTTOTOP



Technical Drawing



0

Description	1-bowl sink
Model	QUADRA 110 SOTTOTOP
Base (mm)	800
0	Undermount
Dimensions (mm)	580 x 440
Hole for built-in installation (mm)	540 x 400 R5
Number of Bowls	1
Bowl Depth (mm)	190



0

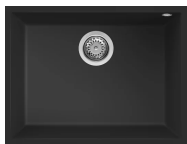
Gross Weight (kg)	11,79
Net Weight (kg)	8,53
Packaging Dimension (kg)	690 x 575 x 300
0 (kg)	0,119

0

Packaging	Cardboard and polyethylene
0	Space-saving siphon, wastes and hooks.

KERATEK^{plus}

CERAMIC NANOTECHNOLOGY CN6



LKQ11086BSO K86
8031873020934



LKQ11093BSO K93
8031873027322



LKQ11095BSO K95
8031873025861



LKQ11096BSO K96
8031873020927



LKQ11097BSO K97
8031873027346



LKQ11099BSO K99
8031873027360

GRANITEK[®]

NATURAL GRANITE EFFECT

METAL

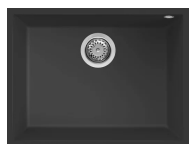


LMQ11073BSO M73
8032861956624



LMQ11079BSO M79
8032557953036

MATT



LGQ11040BSO G40
8032557049517



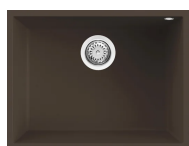
LGQ11043BSO G43
8032861041832



LGQ11048BSO G48
8032557030683



LGQ11068BSO G68
8032861056584



LGQ11078BSO G78
8032557067160

CLASSIC



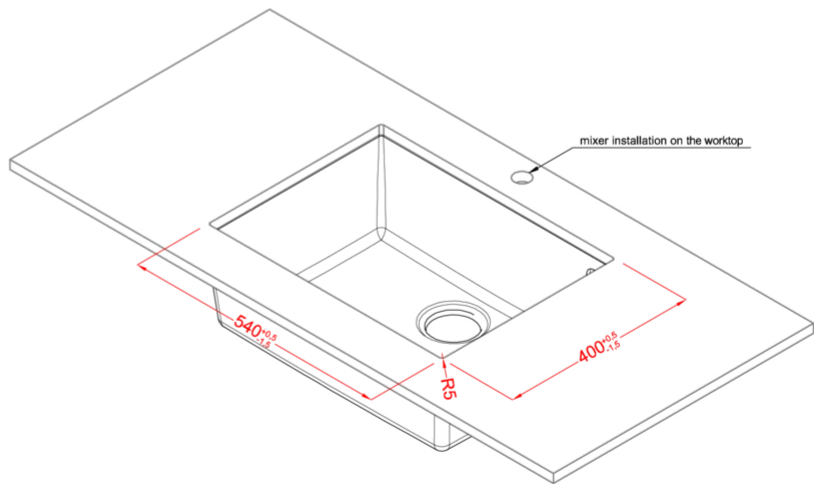
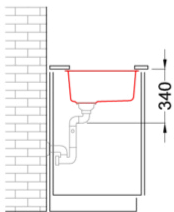
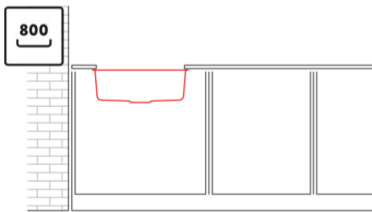
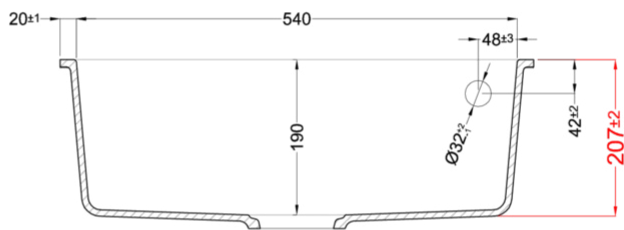
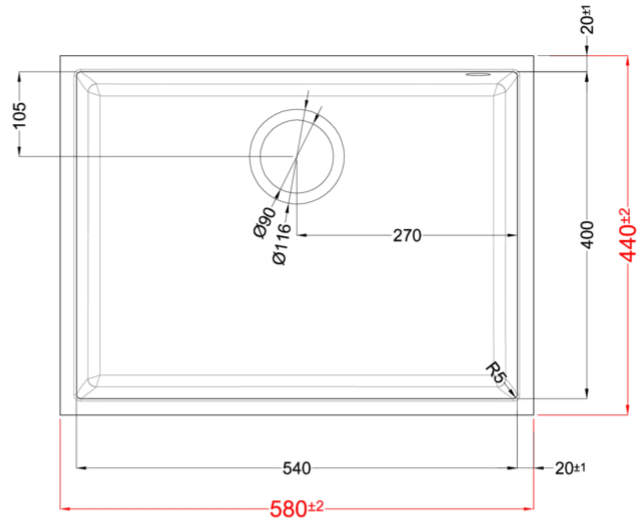
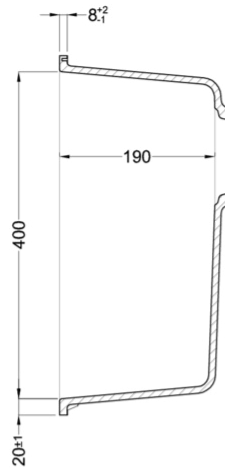
LGQ11051BSO G51
8032861056515



LGQ11059BSO G59
8032861056560



LGQ11062BSO G62
8032861056577



QUADRA 110 UNDERMOUNT

general tolerances where not expressly communicated $\pm 0.2\%$
connection dimensions according to UNI EN 695



