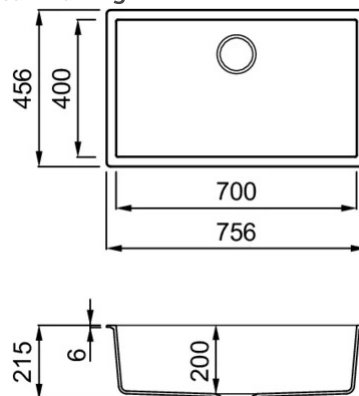


# ZEN 130



## Technical Drawing



0	
<b>Description</b>	1-bowl sink
<b>Model</b>	ZEN 130
<b>Base (mm)</b>	800
0	Inset Undermount
<b>Dimensions (mm)</b>	756 x 456
<b>Hole for built-in installation (mm)</b>	745 x 445 R5 (Inset), 700 x 400 R10 (Undermount)
<b>Number of Bowls</b>	1
<b>Bowl Depth (mm)</b>	200
0	
<b>Gross Weight (kg)</b>	15,59
<b>Net Weight (kg)</b>	11,87
<b>Packaging Dimension (kg)</b>	870 x 575 x 300
0 (kg)	0,150
0	
<b>Packaging</b>	Cardboard and polyethylene
0	Space-saving siphon, integrated Flow Pro, rectangular overflow, hooks and undermount assembly kit.

**KERATEK<sup>®</sup> plus**  
CERAMIC NANOTECHNOLOGY CN6



**LKZ13086** K86  
8031873027896



**LKZ13093** K93  
8031873027902



**LKZ13095** K95  
8031873027919



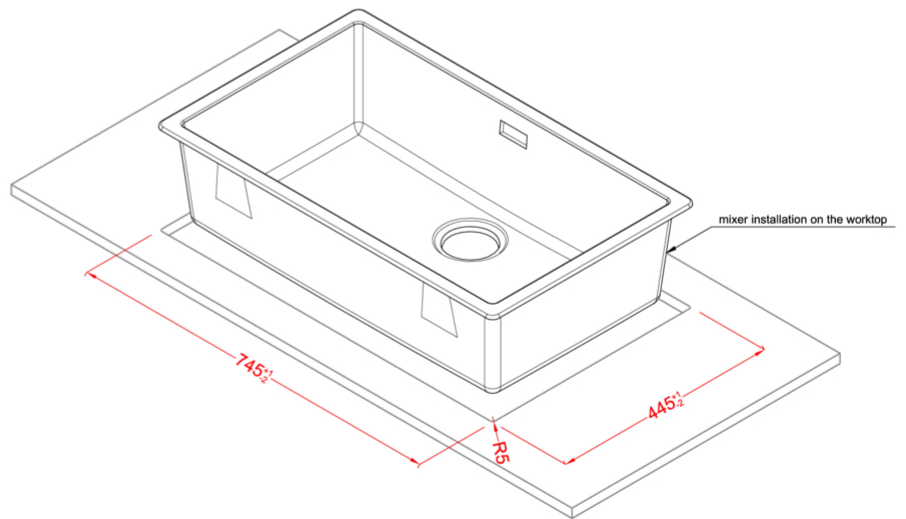
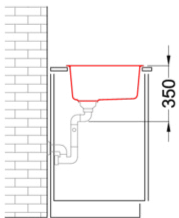
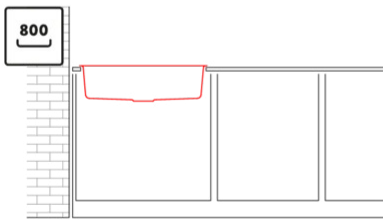
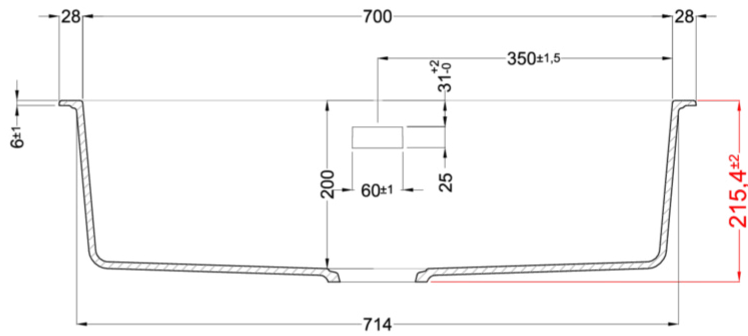
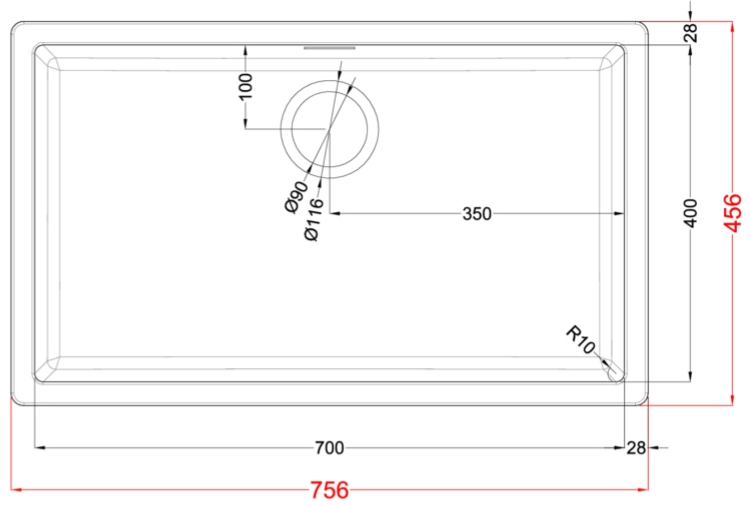
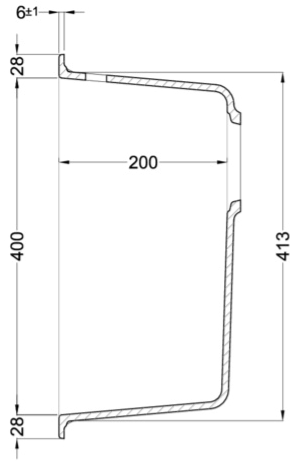
**LKZ13096** K96  
8031873027926



**LKZ13097** K97  
8031873027933



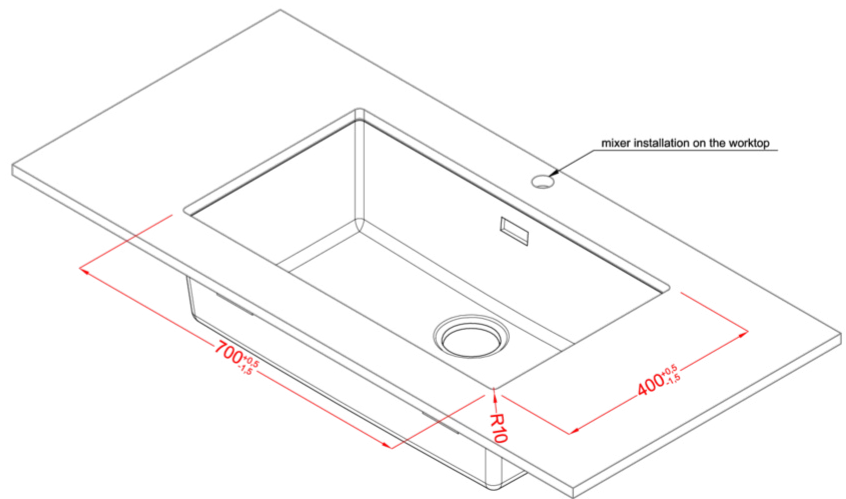
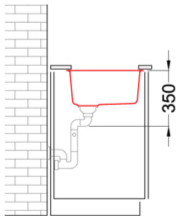
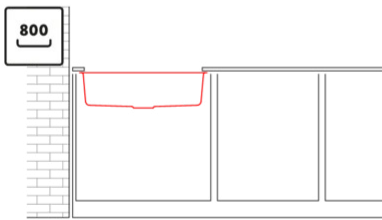
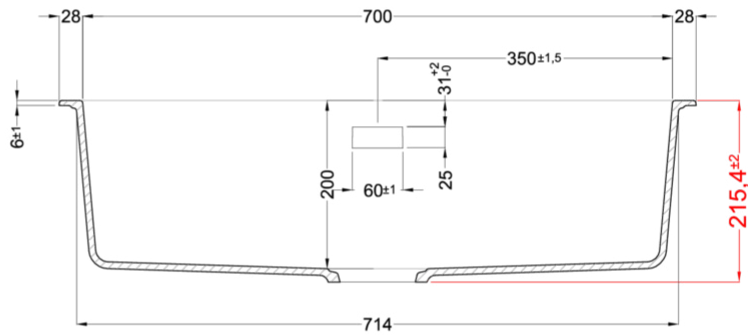
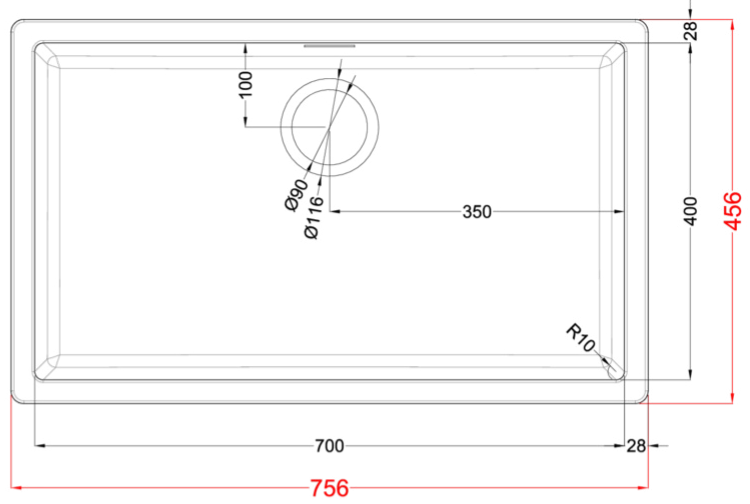
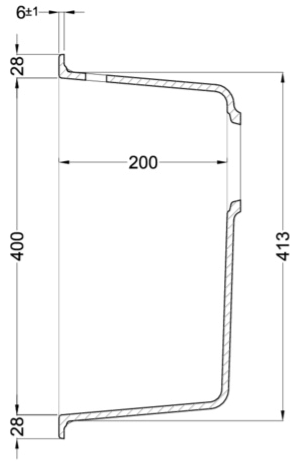
**LKZ13099** K99  
8031873026417



# ZEN 130

general tolerances where not expressly communicated  $\pm 0.2\%$   
 connection dimensions according to UNI EN 695





# ZEN 130 UNDERMOUNT

general tolerances where not expressly communicated  $\pm 0.2\%$   
 connection dimensions according to UNI EN 695

