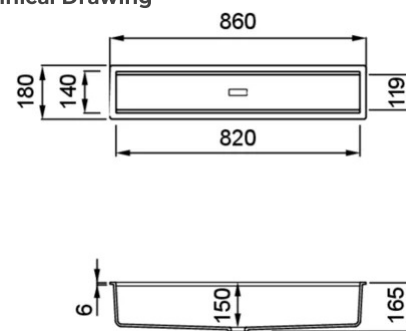


# DIALOGO 360 CANALE ATTREZZATO

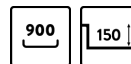


## Technical Drawing



0

<b>Description</b>	1-bowl accessory sink
<b>Model</b>	DIALOGO 360 CANALE ATTREZZATO
<b>Base (mm)</b>	900
<b>0</b>	Inset Undermount
<b>Dimensions (mm)</b>	860 x 180
<b>Hole for built-in installation (mm)</b>	850 x 170 R5 (Inset), 820 x 140 R4 (Undermount)
<b>Bowl Depth (mm)</b>	150

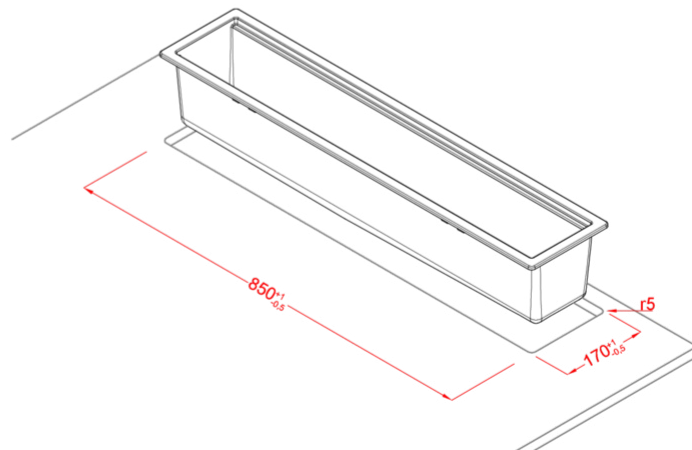
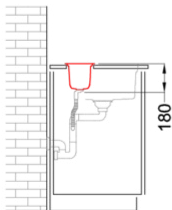
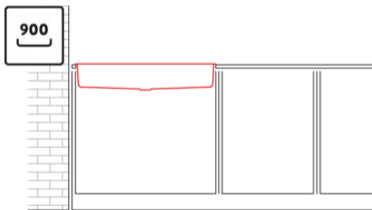
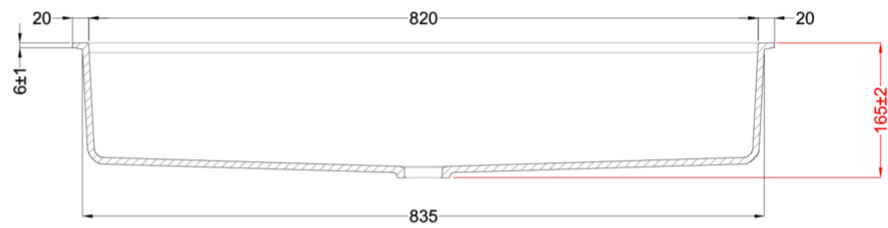
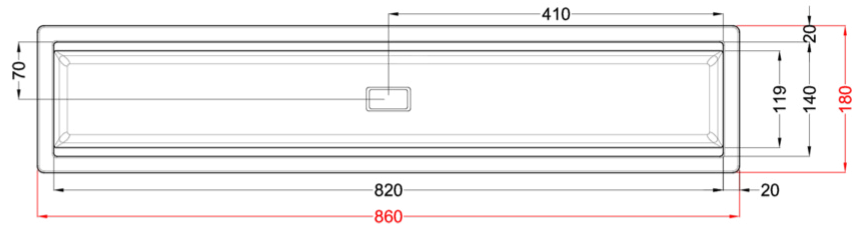
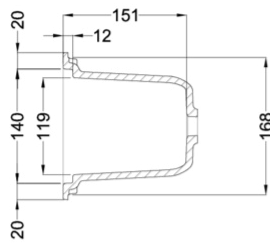


0

<b>Gross Weight (kg)</b>	8,90
<b>Net Weight (kg)</b>	5,50
<b>Packaging Dimension (kg)</b>	940 x 300 x 300

0

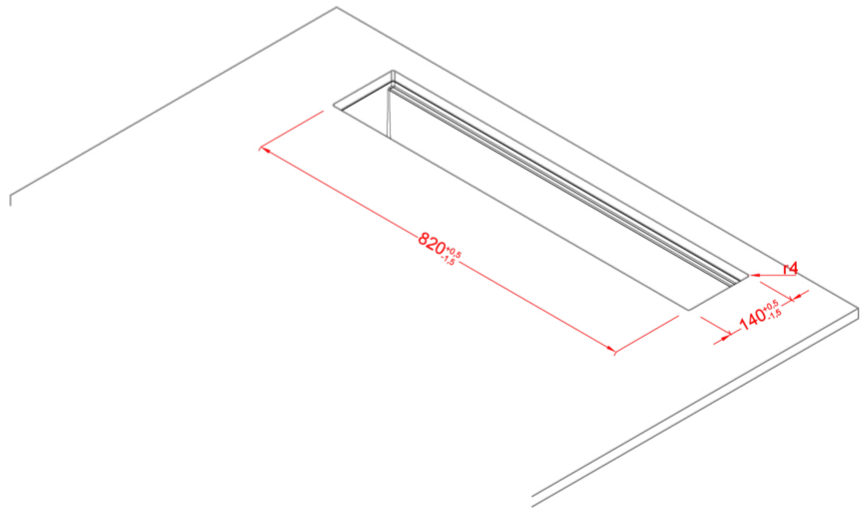
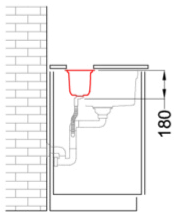
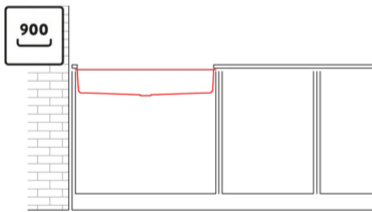
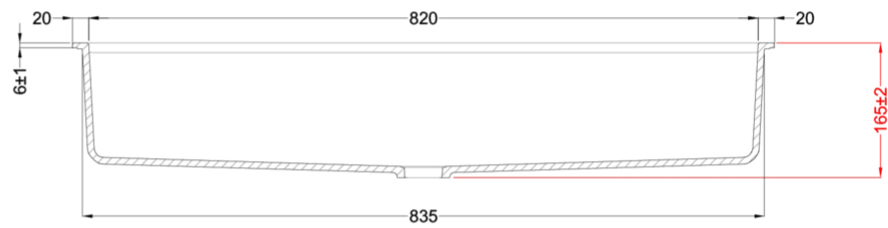
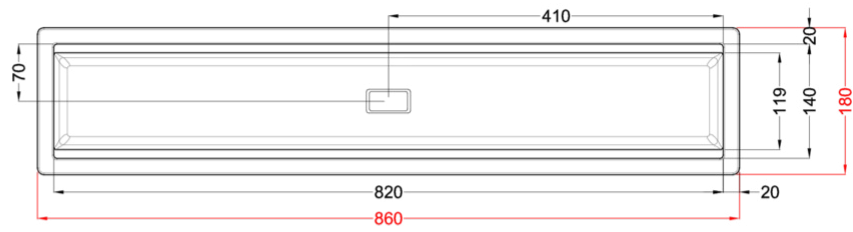
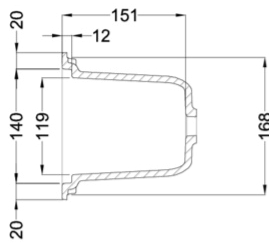
<b>Packaging</b>	Cardboard and polyethylene
------------------	----------------------------



## DIALOGO C86

general tolerances where not expressly communicated  $\pm 0.2\%$   
connection dimensions according to UNI EN 695





## DIALOGO C86 UNDERMOUNT

general tolerances where not expressly communicated  $\pm 0.2\%$   
connection dimensions according to UNI EN 695

