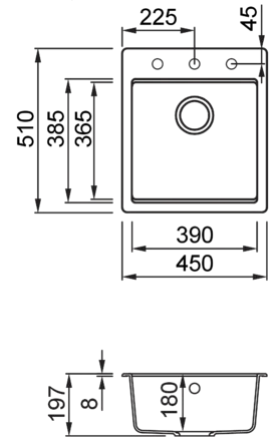


## TIME 102

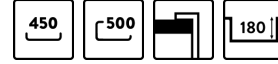


### Technical Drawing



#### FEATURES

|  |           |
|--|-----------|
| <b>Model</b>                               | TIME 102  |
| <b>Base (mm)</b>                           | 450       |
| <b>Installations</b>                       | Inset     |
| <b>Dimensions (mm)</b>                     | 450 x 510 |
| <b>Hole for built-in installation (mm)</b> | 430 x 480 |
| <b>Bowl Depth (mm)</b>                     | 180       |



## GRANITEK



**LG210240** G40  
8032861064879



**LG210243** G43  
8032861064886



**LG210248** G48  
8032861064893



**LG210268** G68  
8032861064930



**LG210278** G78  
8032861064947



**LG210239** G39  
8031873003272



**LG210240BKM** G40  
8031873003289

## GRANITEK

### METAL



**LM210273** M73



**LM210279** M79

# GRANITEK

CLASSIC



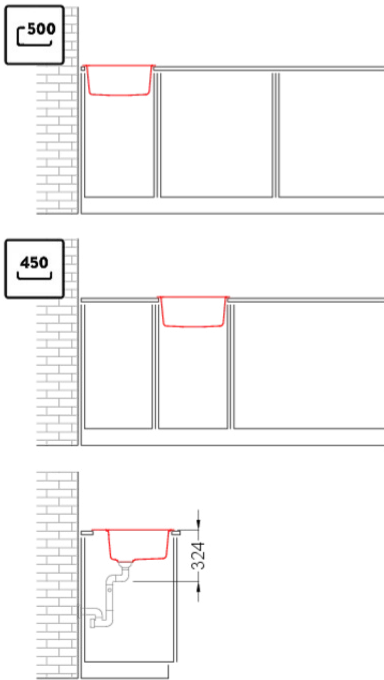
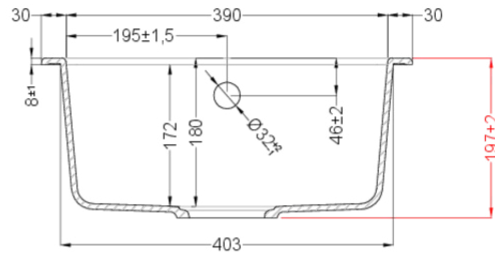
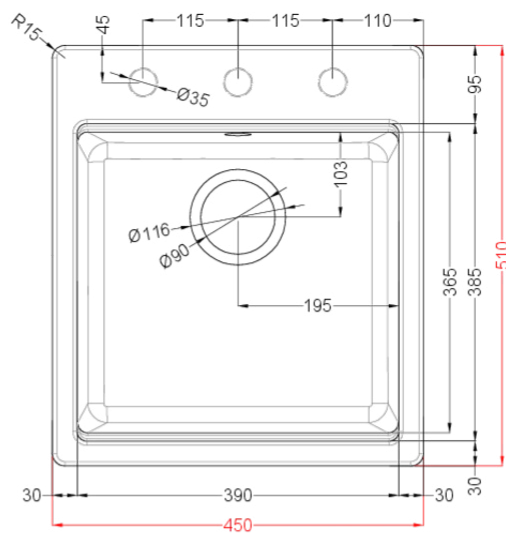
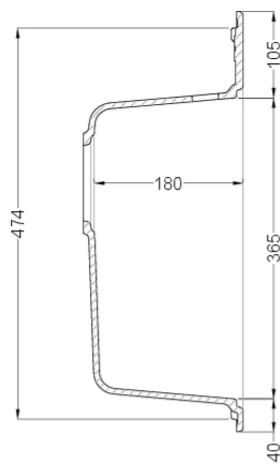
LG210251 G51



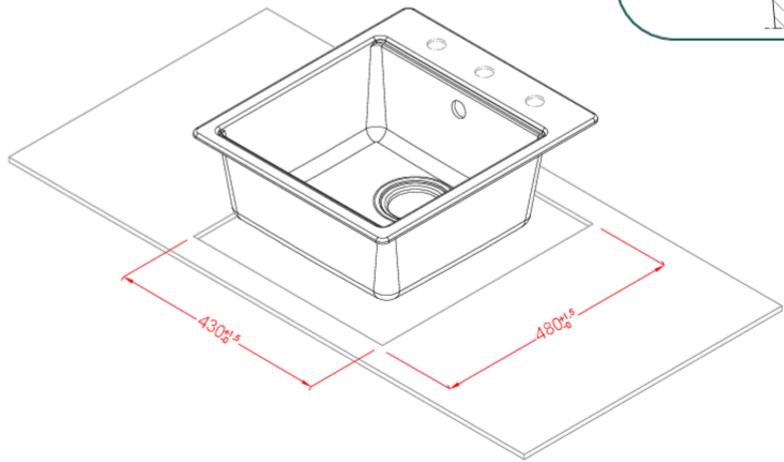
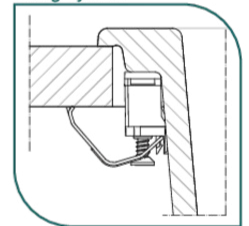
LG210259 G59



LG210262 G62



Fixing System



## Time 102

general tolerances where not expressly communicated  $\pm 0,4\%$   
 connection dimensions according to UNI EN 695  
 eventual exceptions are reported with \*

elleci