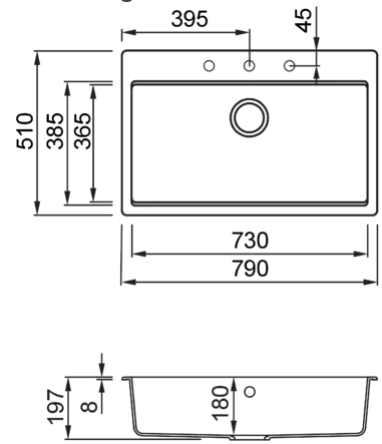


TIME 130



Technical Drawing



FEATURES

Model	TIME 130
Base (mm)	
Installations	
Hole for built-in installation (mm)	
Bowl Depth (mm)	180

GRANITEK



LG213039 G39
8031873003180



LG213040 G40
8031873003197



LG213043 G43
8031873003203



LG213048 G48
8031873003210



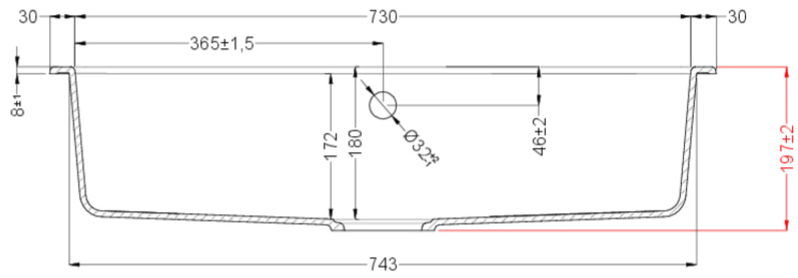
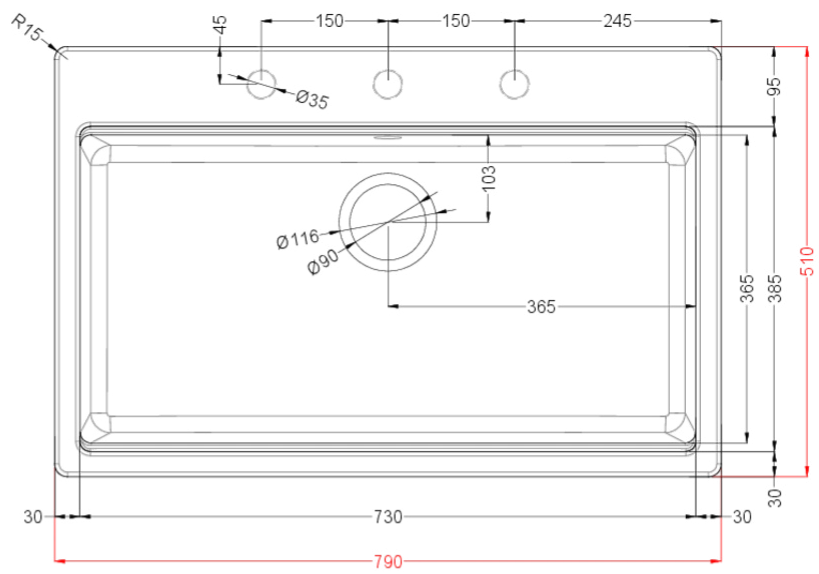
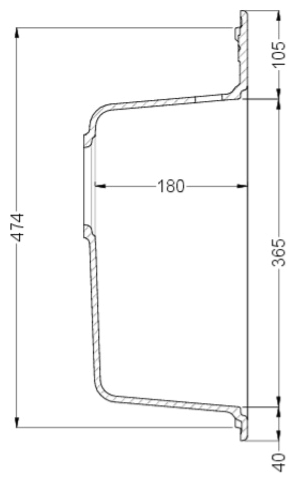
LG213068 G68
8031873003227



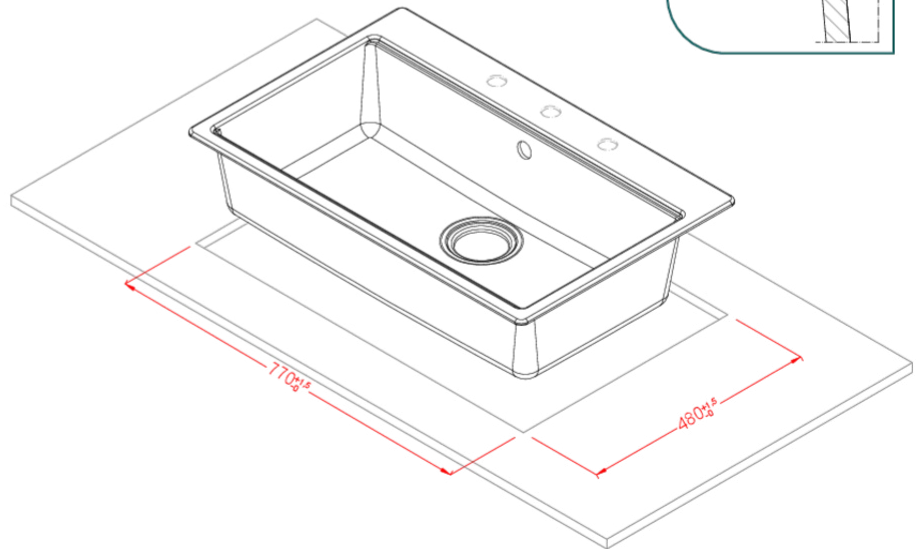
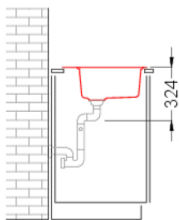
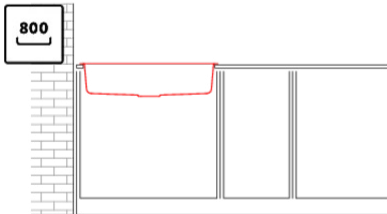
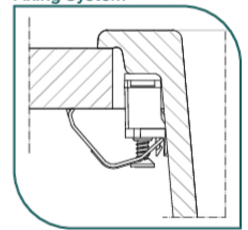
LG213078 G78
8031873003234



LG213040BKM G40
8031873003241



Fixing System



Time 130

general tolerances where not expressly communicated $\pm 0,4\%$
 connection dimensions according to UNI EN 695
 eventual exceptions are reported with *

elleci